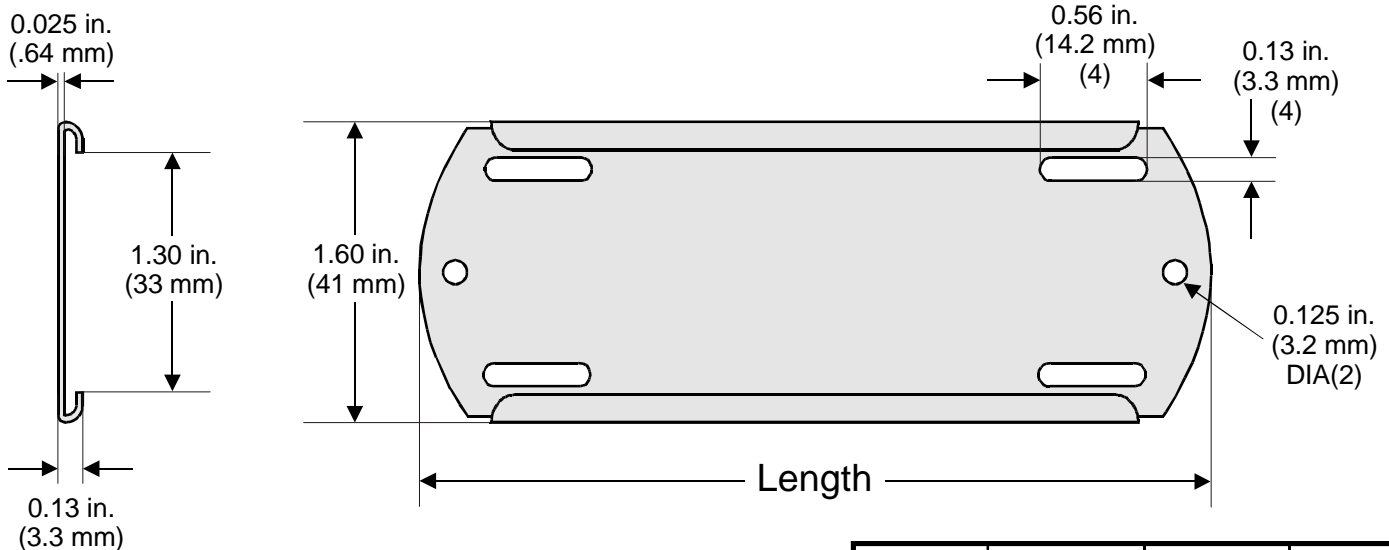


Aluminum Tag Holder for Standard Size Tags



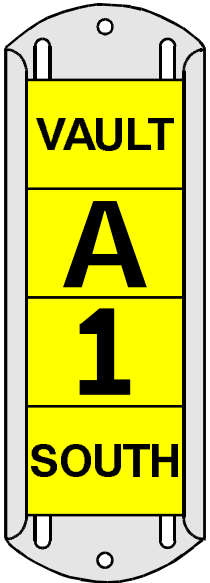
ALUMINUM TAG HOLDER for marking poles, pedestals, switch cabinets, transformers, etc. the same holder can be used for both horizontally and vertically oriented tags. All holders have holes for mounting with nails, screws, rivets, etc. and slots for installation using metal bands. Channel ends can be crimped to securely retain the tags in the holder.

MATERIAL
Aluminum 3003-H14.
Both sides of channel coated with lacquer for additional protection from salt spray and other environmental oxidants.

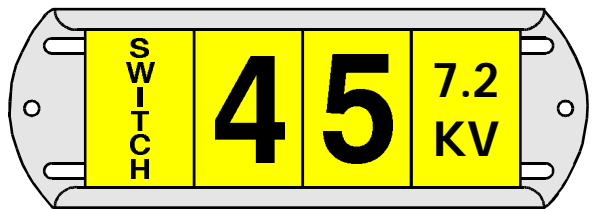
SPECIFY AS
0.025 in. thick aluminum tag holder for both vertical and horizontal mounting of 1.57 in. x 0.89 in. tags. Lacquer coated on both sides. Punched with two holes and four slots.

Capacity	Item Codes	Length(in.)	Length(mm.)
2 tags	AH102	3.3	83
3 tags	AH103	4.1	105
4 tags	AH104	5.0	127
5 tags	AH105	5.9	149
6 tags	AH106	6.8	172
7 tags	AH107	7.6	194
8 tags	AH108	8.5	216
9 tags	AH109	9.4	238
10 tags	AH110	10.3	260
11 tags	AH111	11.1	283
12 tags	AH112	12.0	305

For tag specification see SPEC1EVL or SPEC1_3D



Vertically oriented AH104
(shown smaller than actual size)



Horizontally oriented AH104
(shown smaller than actual size)