

# 8 in. Character Size Identification Tags

## **POLY TAGS** **TWO COLOR** **INJECTION MOLDED**

### **MATERIAL**

High impact polyolefin with excellent cold impact resistance. UV stabilizers and antioxidants added to provide complete protection and weather resistance in all climates.

**SEE LIST ON  
REVERSE FOR  
STOCK SYMBOLS**

### **ITEM CODE**

**EL8XXxxx**

X=Y for Yellow background (standard)

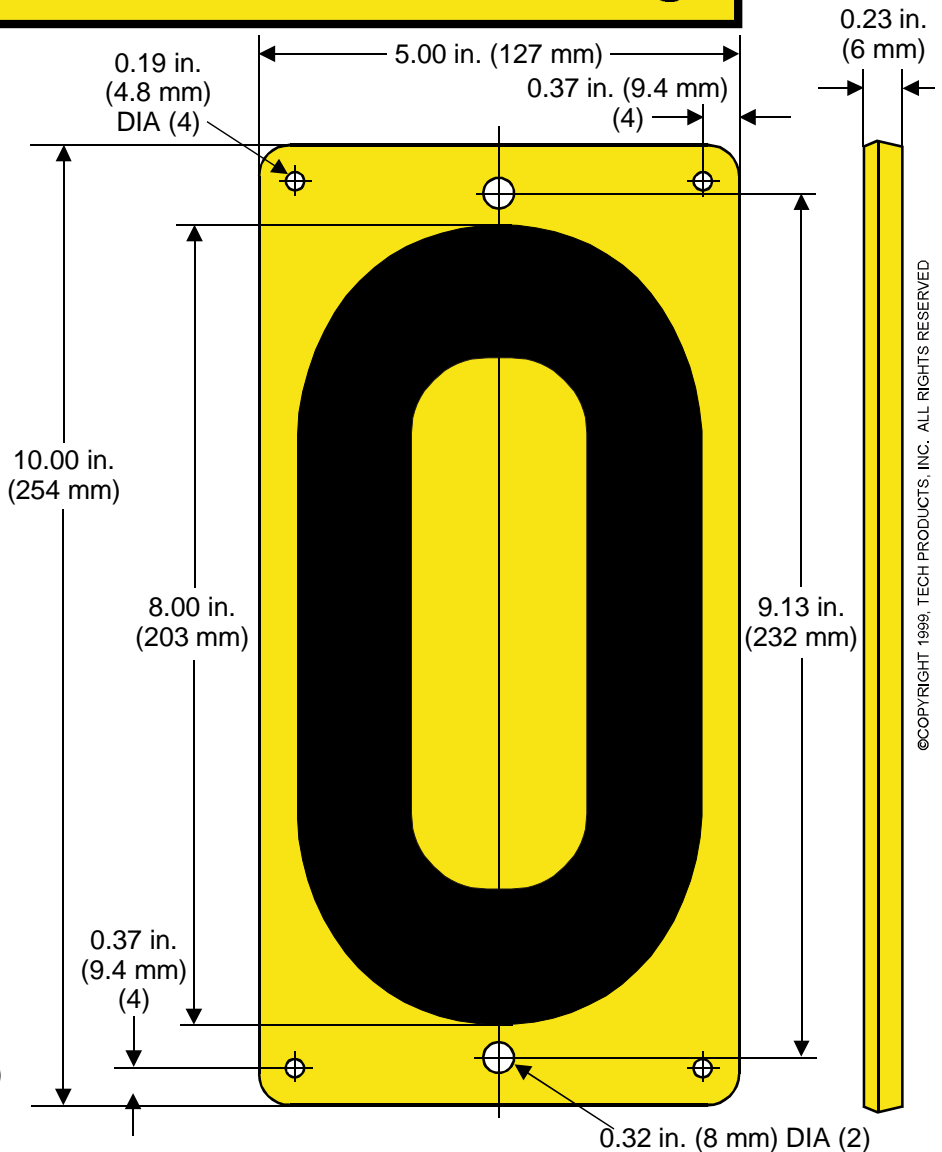
X=K for Black copy (standard)

X=O for Orange background

xxx=Copy code (see list on reverse)

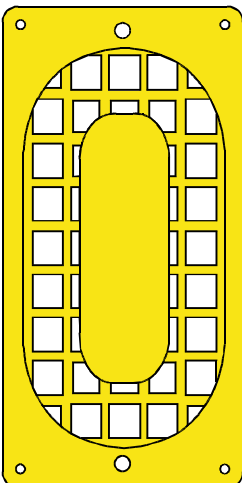
### **SPECIFY AS**

5 in. x 10 in. x 0.23 in. thick tags with injection molded characters integral with locking grids. Color additives and UV stabilizers molded throughout the tags. Both copy and background have a minimum thickness of 0.090 in. (2.3 mm)



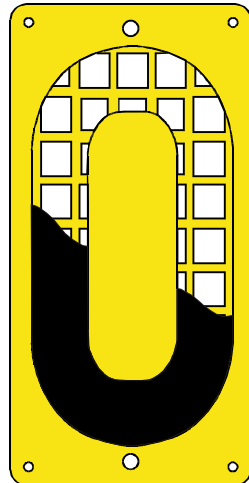
©COPYRIGHT 1999, TECH PRODUCTS, INC. ALL RIGHTS RESERVED

### **First Shot**

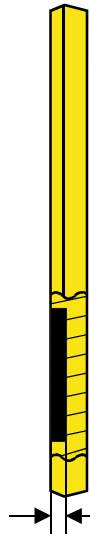


Character molded on locking grid.

### **Second Shot Molding Process**



Second shot resin locks with the first shot grid. Both background and characters have a minimum thickness of 0.090 in. (2.3 mm)



0.090 in. (2.3 mm)

Thick Characters

### **INSTALLATION GUIDELINES**

Same tags can be used for both horizontally and vertically oriented installations. Mounting holes allow for nails, screws or rivets. Extruded aluminum holders are available for horizontal and vertical orientation. (See reverse for holder specifications) Bent sheet aluminum holders can be manufactured for horizontally oriented installations to customers requirements.

**TECH**  
PRODUCTS, INC.

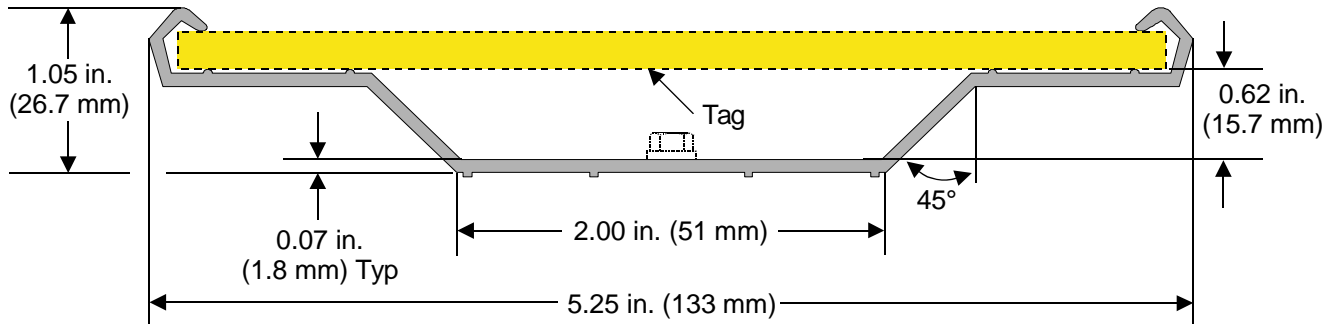
Tel: (800) 221-1311 or (718) 442-4900 or Fax: (718) 442-2124

e-mail: team@techproducts.com

Visit us at: www.techproducts.com

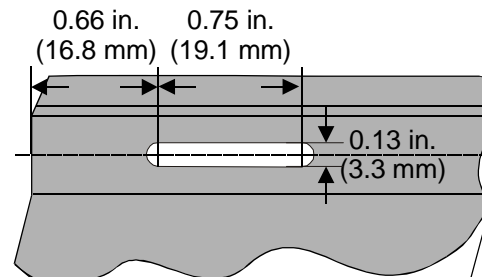
SPEC8EVL  
09/04

# Aluminum Tag Holders for 8 in. Character Size Poly Tags Vertical Orientation

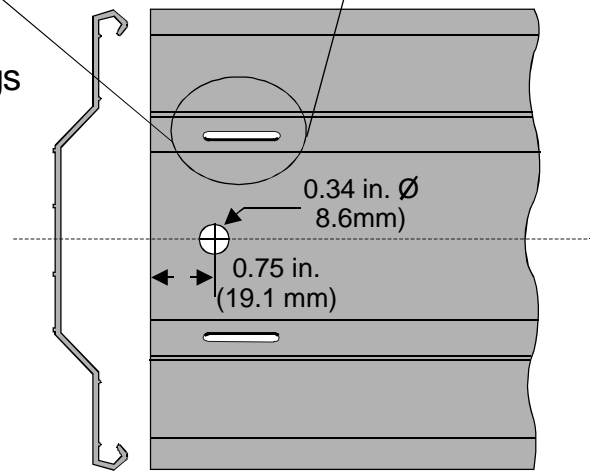


**Material:**  
Aluminum 6063T5

The holders can be attached using nails, screws, bolts, rivets, magnets, metal banding, etc. Standard slot and hole configurations are shown. Custom hole and/or slot configurations can be made to customer's specifications.



Holdings come with EITHER Holes OR Slots



Same configuration on both ends

## Item Codes for 8 in. Character Size **EVERLAST**® Tags

Copy	Item Code	Copy	Item Code	Copy	Item Code	Copy	Item Code
1	EL8XX001	A	EL8XXA	K	EL8XXK	U	EL8XXU
2	EL8XX002	B	EL8XXB	L	EL8XXL	V	EL8XXV
3	EL8XX003	C	EL8XXC	M	EL8XXM	W	EL8XXW
4	EL8XX004	D	EL8XXD	N	EL8XXN	X	EL8XXX
5	EL8XX005	E	EL8XXE	O	see 0	Y	EL8XXY
6	EL8XX006	F	EL8XXF	P	EL8XXP	Z	EL8XXZ
7	EL8XX007	G	EL8XXG	Q	EL8XXQ	(Blank)	EL8XX011
8	EL8XX008	H	EL8XXH	R	EL8XXR	-	EL8XX012
9	see 6	I	EL8XXI	S	EL8XXS	/	EL8XX013
0	EL8XX010	J	EL8XXJ	T	EL8XXT	Ø	EL8XX014

## Item Codes for 8 in. Tag Holders VERTICAL Orientation

Cap	Item Codes		Length (in.)	Length (mm)
	Holes	Slots		
1 tag	AHE801VP-H	AVE801VP-S	12.0	305
2 tags	AHE802VP-H	AVE802VP-S	22.0	559
3 tags	AHE803VP-H	AVE803VP-S	32.0	813
4 tags	AHE804VP-H	AVE804VP-S	42.0	1,067
5 tags	AHE805VP-H	AVE805VP-S	52.0	1,321
6 tags	AHE806VP-H	AVE806VP-S	62.0	1,575

## Item Codes for 8 in. Tag Holders HORIZONTAL Orientation

Cap	Item Codes		Length (in.)	Length (mm)
	Holes	Slots		
1 tag	AHE801HP-H	AHE801HP-S	7.0	178
2 tags	AHE802HP-H	AHE802HP-S	12.0	305
3 tags	AHE803HP-H	AHE803HP-S	17.0	432
4 tags	AHE804HP-H	AHE804HP-S	22.0	559
5 tags	AHE805HP-H	AHE805HP-S	27.0	686
6 tags	AHE806HP-H	AHE806HP-S	32.0	813